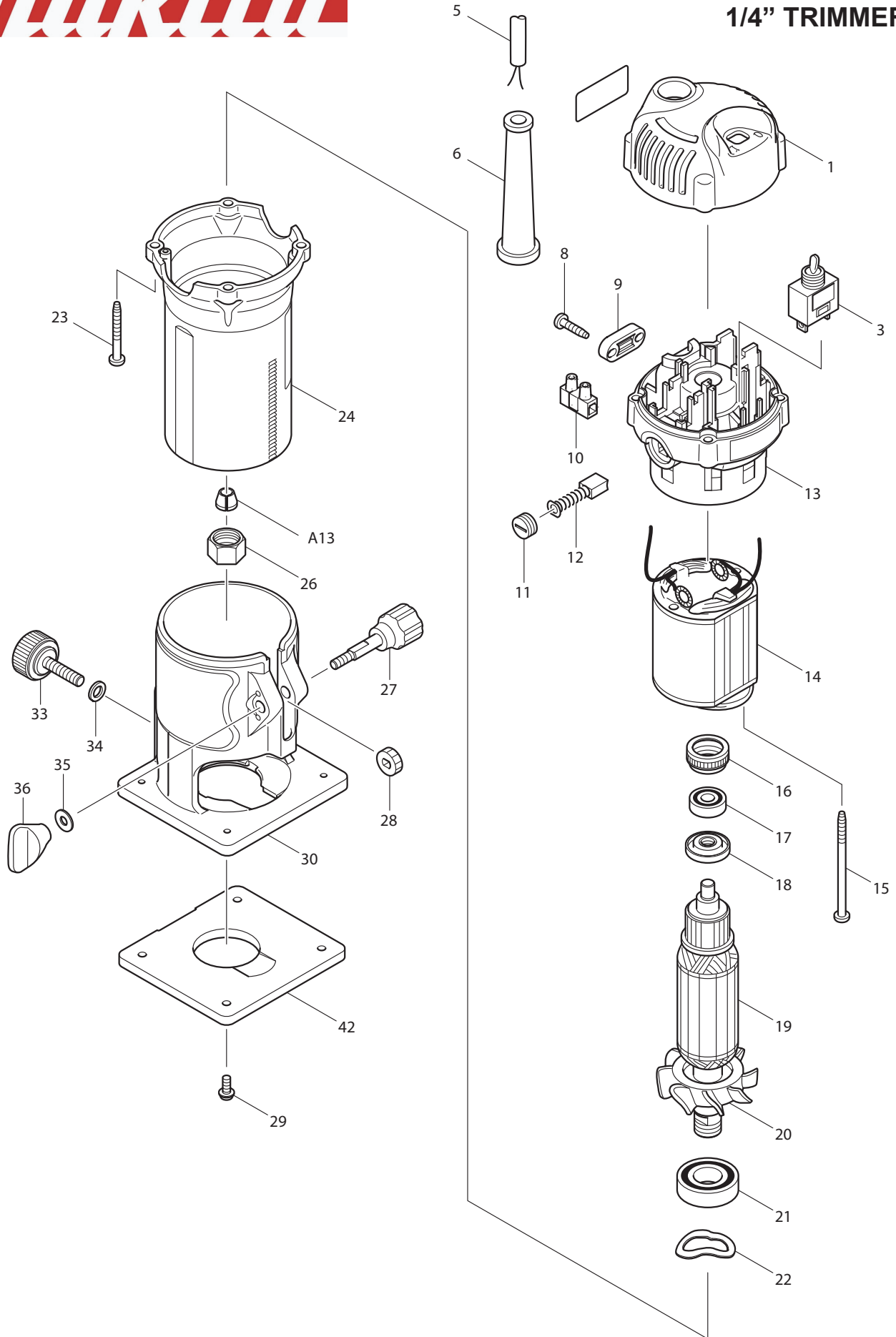




08 - 2010  
3709, 3709X  
1/4" TRIMMER



Item No	Type	Ref	Part No	Description	Qty	Unit
001			419137-6	TOP COVER	1	PC.
003	1		651425-7	SWITCH STL115ADT	1	PC.
	2		651066-9	SWITCH STL115A-TB-S1	1	PC.
004			861695-2	NAME PLATE F/3709	1	PC.
005			664891-9	CORD WITH PLUG 2P-18-2.5M SJ	1	PC.
006			682569-2	CORD GUARD 8-85	1	PC.
008			266326-2	TAPPING SCREW 4X18	2	PC.
009			687123-7	STRAIN RELIEF	1	PC.
010			654532-5	TERMINAL BLOCK 1P	1	PC.
011			643550-8	BRUSH HOLDER CAP 5-8	2	PC.
012	2		195008-8	CARBON BRUSH CB-408 2PC/SET (W/ ORIGIN)	1	SET
013	1		154807-7	BRACKET COMPLETE	1	PC.
		INC.	643455-2	BRUSH HOLDER 6X9	2	PC.
		INC.	810113-7	CAUTION LABEL	1	PC.
	2		140L19-0	BRACKET COMPLETE	1	PC.
		INC.	643455-2	BRUSH HOLDER 6X9	2	PC.
		INC.	810113-7	CAUTION LABEL	1	PC.
014			590017-6	FIELD ASS'Y 115V (OLD# 593591-3)	1	PC.
		INC.	654100-4	RING TERMINAL	2	PC.
		INC.	654501-6	CONNECTOR P-1.25	2	PC.
015			266340-8	TAPPING SCREW 4X65	2	PC.
016			421494-0	RUBBER RING 19	1	PC.
017			210034-7	BALL BEARING 607LLB	1	PC.
018			681668-7	INSULATION WASHER	1	PC.
019	2		510274-0	ARMATURE ASS'Y 115V	1	PC.
		INC.		Item No. 17,18,20,21		
020			241667-7	FAN 52	1	PC.
021	2		211489-9	BALL BEARING 6002LLUX	1	PC.
022			267785-3	WAVE WASHER 23	1	PC.
023			266351-3	TAPPING SCREW 4X35	4	PC.
024			154668-5	MOTOR HOUSING COMPLETE	1	PC.
		INC.	816817-9	SCALE LABEL	1	PC.
026			763661-4	COLLET NUT 6	1	PC.
027			265771-8	THUMB SCREW M5X33	1	PC.
028			226217-9	SPUR GEAR 16	1	PC.
029A			265142-9	+ PAN HEAD SCREW M4X10 (F/3709)	4	PC.
029B			912112-6	COUNTERSUNK HEAD SCREW M4X10 (F/ 3709X)	4	PC.
030			419138-4	BASE	1	PC.
033			265763-7	THUMB SCREW M6X25	1	PC.
034			941151-9	FLAT WASHER 6	1	PC.
035			941101-4	FLAT WASHER 5	1	PC.
036			252652-5	THUMB NUT M5	1	PC.
042A			410585-2	BASE PROTECTOR, CLEAR (FOR 3709)	1	PC.
042B			411114-4	BASE PROTECTOR, BLACK (FOR 3709X)	1	PC.
100			652040-0	+ PAN HEAD SCREW M3.5X6	2	PC.
101			654037-5	INSULATED EYE TERMINAL FT1.25-M3	2	PC.

Item No	Type	Ref	Part No	Description	Qty	Unit
<b>ACCESSORIES</b>						
- See catalogue or visit <a href="http://www.makita.ca">www.makita.ca</a> for more optional accessories -						
A01	1		122389-7	TRIMMER GUDE ASS'Y (TYPE1)	1	PC.
		INC.	312650-2	TRIMMER GUIDE (INCLUDES No.C10 - C90)	1	PC.
		INC.	251819-2	SCREW M6	1	PC.
		INC.	912116-8	COOUNTERSUNK HEAD SCREW M4X12	1	PC.
		INC.	341136-9	HOOK	1	PC.
		INC.	323495-3	ROLLER 11	1	PC.
		INC.	312396-0	GUIDE HOLDER	1	PC.
		INC.	941151-9	FLAT WASHER 6	1	PC.
		INC.	253903-9	WAVE WASHER 6	1	PC.
		INC.	251815-0	SCREW M6X25	1	PC.
A01	2		122703-7	TRIMMER GUIDE ASS'Y (TYPE2)	1	PC.
		INC.	317789-6	TRIMMER GUIDE (INCLUDES No.C10 - C80)		
		INC.	251471-6	- FLAT HEAD SCREW M5	1	PC.
		INC.	265135-6	+ COUNTERSUNK HEAD SCREW M4X10	1	PC.
		INC.	265763-7	THUMB SCREW M6X25	1	PC.
		INC.	265764-5	THUMB SCREW M6	1	PC.
		INC.	317788-8	GUIDE HOLDER	1	PC.
		INC.	324378-0	ROLLER 11	1	PC.
		INC.	341136-9	HOOK (TYPE2)	1	PC.
		INC.	941151-9	FLAT WASHER 6	1	PC.
A02			122704-5	STRAIGHT GUIDE ASS'Y	1	PC.
		INC.	252649-4	THUMB NUT M6	1	PC.
		INC.	266339-3	CAP SQUARE NECK BOLT M6X20	1	PC.
	2	INC.	343593-7	GUIDE PLATE (TYPE2)	1	PC.
A03	2		343577-5	TEMPLET GUIDE 10	1	PC.
A04			781036-5	WRENCH 10	1	PC.
A05			781037-3	WRENCH 17	1	PC.
A06			418647-0	CHIP DEFLECTOR	1	PC.
A07			733238-9	STRAIGHT BIT 6E	1	PC.
A08			823293-0	ALUMINUM CARRYING CASE	1	PC.
A09			194267-1	TRIMMER BASE ASSY	1	PC.
		INC.		Item No. 27-30, 33-36, 42		
A10			783208-8	HEX.WRENCH 2.5	1	PC.
A11			421345-7	JOINT	1	PC.
A12			155263-4	TRIMMER SHOE	1	PC.
A13			763663-0	COLLET CONE 6.35	1	PC.
A14			122753-2	TILT TRIMMER BASE ASSY (See Partsbreakdown 122753-2)	1	PC.